

DATA SHEET

Product Name High Voltage Thick Film Chip Resistors

Part Name HV Series

Uniroyal Electronics Global Co., Ltd.

88 Longteng Road, Economic & Technical Development Zone, Kunshan, Jiangsu, China

Tel +86 512 5763 1411 / 22 /33

Email marketing@uni-royal.cn

Manufacture Plant Uniroyal Electronics Industry (kunshan) co., ltd.
Uniroyal Electronics Industry Co., Ltd.
Uniroyal Electronics Global Co.,Ltd Shenzhen Branch
Aeon Technology Corporation
Uniroyal Electronics Global Co.,Ltd Xiamen Branch
Kunshan Foss Electronic material Co., Ltd.

Brands *RoyalOhm* *UniOhm*



4. Marking

(1) $\pm 5\%$ Tolerance: The first two digits are significant figures of resistance and the third denotes number of zeros following



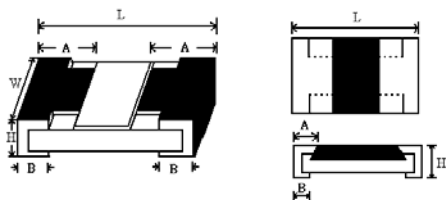
104 \rightarrow 100K Ω

(2) $\pm 1\%$ Tolerance: 4 digits, first three digits are significant; fourth digit is number of zeros. Letter r is decimal point.



1003 \rightarrow 100K Ω

5. Dimension

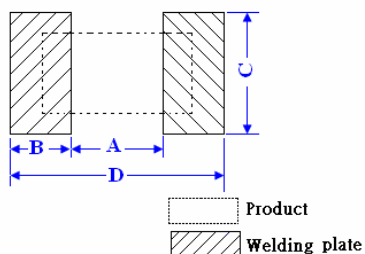


Type	Dimension(mm)				
	L	W	H	A	B
HV03(0603)	1.60 \pm 0.10	0.80 \pm 0.10	0.45 \pm 0.10	0.30 \pm 0.20	0.30 \pm 0.20
HV05(0805)	2.00 \pm 0.15	1.25 \pm 0.15/-0.10	0.55 \pm 0.10	0.40 \pm 0.20	0.40 \pm 0.20
HV06(1206)	3.10 \pm 0.15	1.55 \pm 0.15/-0.10	0.55 \pm 0.10	0.45 \pm 0.20	0.45 \pm 0.20
HV07(1210)	3.10 \pm 0.10	2.60 \pm 0.20	0.55 \pm 0.10	0.50 \pm 0.25	0.50 \pm 0.20
HV10(2010)	5.00 \pm 0.10	2.50 \pm 0.20	0.55 \pm 0.10	0.60 \pm 0.25	0.50 \pm 0.20
HV12(2512)	6.35 \pm 0.10	3.20 \pm 0.20	0.55 \pm 0.10	0.60 \pm 0.25	0.50 \pm 0.20

6. Ratings

Type	Power Rating at 70 $^{\circ}$ C	Max. Working Voltage	Max. Overload Voltage	Dielectric withstanding Voltage	Resistance Range	Operating Temperature
HV03	1/10W	200V	400V	300V	36K Ω ~10M Ω	-55 $^{\circ}$ C~155 $^{\circ}$ C
HV05	1/8W	400V	800V	500V	100K Ω ~10M Ω	-55 $^{\circ}$ C~155 $^{\circ}$ C
HV06	1/4W	500V	1000V	500V	100K Ω ~10M Ω	-55 $^{\circ}$ C~155 $^{\circ}$ C
HV07	1/2W	800V	1500V	500V	50K Ω ~10M Ω	-55 $^{\circ}$ C~155 $^{\circ}$ C
HV10	3/4W	2000V	3000V	500V	50K Ω ~10M Ω	-55 $^{\circ}$ C~155 $^{\circ}$ C
HV12	1W	3000V	4000V	500V	39K Ω ~10M Ω	-55 $^{\circ}$ C~155 $^{\circ}$ C

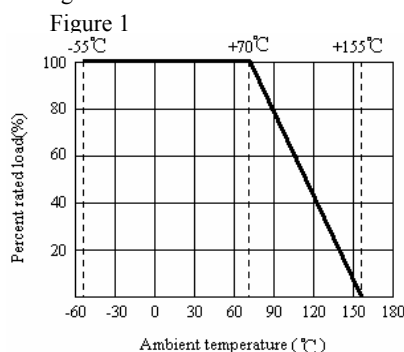
7. Recommend the size of welding plate



Type	Dimension(mm)			
	A	B	C	D
HV03	0.8 \pm 0.05	0.65 \pm 0.05	0.8 \pm 0.05	2.1 \pm 0.05
HV05	1.0 \pm 0.1	1.0 \pm 0.1	1.3 \pm 0.1	3.0 \pm 0.1
HV06	2.2 \pm 0.1	1.1 \pm 0.1	1.6 \pm 0.1	4.4 \pm 0.1
HV07	2.1 \pm 0.1	1.1 \pm 0.1	2.6 \pm 0.1	4.4 \pm 0.1
HV10	3.6 \pm 0.1	1.3 \pm 0.1	2.6 \pm 0.1	6.2 \pm 0.1
HV12	5.0 \pm 0.1	1.6 \pm 0.1	3.3 \pm 0.1	8.2 \pm 0.1

8. Derating Curve

Resistors shall have a power rating based on continuous load operation at an ambient temperature from -55°C to 70°C. For temperature in excess of 70°C, the load shall be derated as shown in figure 1



Voltage rating:

Resistors shall have a rated direct-current (DC) continuous working

voltage or an approximate sine-wave root-mean-square (RMS) alternating-current (AC) continuous working voltage at commercial-line frequency and waveform corresponding to the power rating, as determined from the following formula:

$$RCWV = \sqrt{P \times R}$$

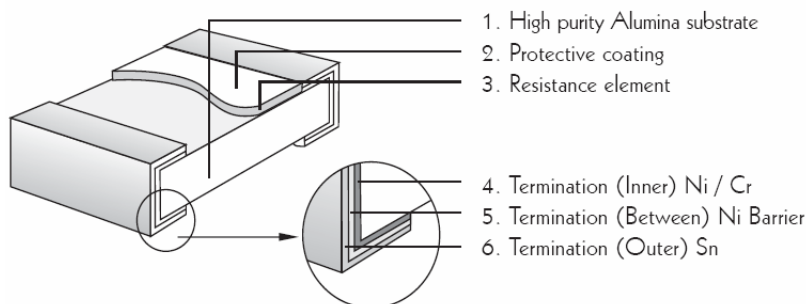
Where: RCWV commercial-line frequency and waveform (Volt.)

P = power rating (WATT.) R = nominal resistance (OHM)

In no case shall the rated DC or RMS AC continuous working voltage be greater than the applicable maximum value.

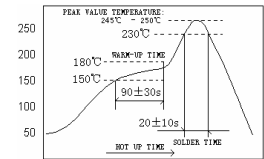
The overload voltage is 2.5 times RCWV or Max. Overload voltage whichever is less

9. Structure



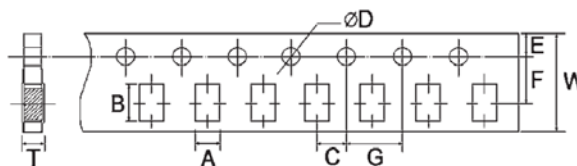
10. Performance Specification

Characteristic	Limits	Test Method (GB/T5729&JIS-C-5201&IEC60115)
Temperature Coefficient	±100PPM/°C	4.8 Natural resistance changes per temp. Degree centigrade $\frac{R_2 - R_1}{R_1(t_2 - t_1)} \times 10^6 \text{ (PPM/°C)}$ $\frac{R_3 - R_1}{R_1(t_3 - t_1)} \times 10^6 \text{ (PPM/°C)}$ R ₁ : Resistance Value at room temperature (t ₁) ; R ₂ : Resistance Value at upper limit temperature ± 2°C (t ₂) R ₃ : Resistance Value at lower limit temperature ± 3°C (t ₃) Test pattern : Room temperature : (t ₁) Upper limit temperature : (t ₂) Lower limit temperature : (t ₃)
Short-time overload	±(2%+0.1Ω) max.	4.13 Permanent resistance change after the application of 2.5 times RCWV for 5 seconds.
Terminal bending	±(1%+0.05Ω) max.	4.33 Twist of test board: Y/X = 3/90 mm for 60 Seconds
Dielectric withstanding voltage	No evidence of flashover mechanical damage, arcing or insulation breaks down.	4.7 Resistors shall be clamped in the trough of a 90°C metallic v-block and shall be tested at ac potential respectively specified in the given list of each product type for 60-70 seconds.
Soldering heat	Resistance change rate must be in ±(1%+0.05Ω)	4.18 Dip the resistor into a solder bath having a temperature of 260°C±5°C and hold it for 10±1 seconds.

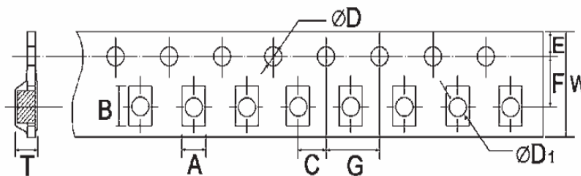
Insulation resistance	$\cong 1000M\Omega$	4.6 The measuring voltage shall be measured with a direct voltage of $(100\pm 15)V$ or a voltage equal to the dielectric withstanding voltage., and apply for 1min.
Solderability	95% coverage min.	Wave solder: Test temperature of solder: $245^{\circ}C\pm 3^{\circ}C$ dipping time in solder: 2-3 seconds. Reflow: 
Rapid change of temperature	$\pm(3.0\%+0.1\Omega)$ Max.	4.19 30 min at lower limit temperature and 30 min at upper limit temperature , 5 cycles.
Humidity (steady state)	$\pm(3.0\%+0.1\Omega)$ Max.	4.24 Temporary resistance change after 240 hours exposure in a humidity test chamber controlled at $40\pm 2^{\circ}C$ and 90-95% relative humidity,
Load life in humidity	$\pm(3.0\%+0.1\Omega)$ Max.	7.9 Resistance change after 1,000 hours (1.5 hours "ON", 0.5 hour "OFF") at RCWV in a humidity chamber controlled at $40^{\circ}C\pm 2^{\circ}C$ and 90 to 95% relative humidity.
Load life	$\pm(3.0\%+0.1\Omega)$ Max.	4.25.1 Permanent resistance change after 1,000 hours operating at RCWV with duty cycle 1.5 hours "ON", 0.5 hour "OFF" at $70^{\circ}C\pm 2^{\circ}C$ ambient.
Low Temperature Storage	$\pm(3.0\%+0.1\Omega)$ Max.	4.23.4 Lower limit temperature , for 2H.
High Temperature Exposure	$\pm(3.0\%+0.1\Omega)$ Max.	4.23.2 Upper limit temperature , for 16H.
Leaching	No visible damage	J-STD-002 Test D Samples completely immersed for 30 sec in solder bath at $260^{\circ}C$

11. Packing of Surface Mount Resistors

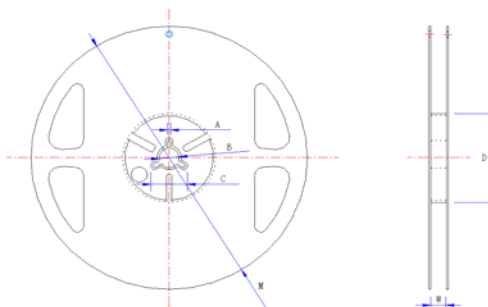
11.1 Dimension of Paper Taping :(Unit: mm)



Type	A ± 0.2	B ± 0.2	C ± 0.05	+0.1 ϕD -0	E ± 0.1	F ± 0.05	G ± 0.1	W ± 0.2	T ± 0.1
HV03	1.10	1.90	2.00	1.50	1.75	3.50	4.00	8.00	0.67
HV05	1.65	2.40	2.00	1.50	1.75	3.50	4.00	8.00	0.81
HV06	2.00	3.60	2.00	1.50	1.75	3.50	4.00	8.00	0.81
HV07	2.80	3.50	2.00	1.50	1.75	3.50	4.00	8.00	0.75

11.2 Dimension of Embossed Taping:(Unit: mm)


Type	A ±0.2	B ±0.2	C ±0.05	+0.1 φD -0	+0.25 φD1 -0	E ±0.1	F ±0.05	G ±0.1	W ±0.2	T ±0.1
HV10	2.90	5.60	2.00	1.50	1.50	1.75	5.50	4.00	12.00	1.00
HV12	3.50	6.70	2.00	1.50	1.50	1.75	5.50	4.00	12.00	1.00

11.3 Dimension of Reel : (Unit: mm)


Type	Taping	Qty/Reel	A ±0.5	B ±0.5	C ±0.5	D ±1	M ±2	W ±1
HV03	Paper	5,000pcs	2.0	13.0	21.0	60.0	178.0	10.0
HV05	Paper	5,000pcs	2.0	13.0	21.0	60.0	178.0	10.0
HV06	Paper	5,000pcs	2.0	13.0	21.0	60.0	178.0	10.0
HV07	Paper	5,000pcs	2.0	13.0	21.0	60.0	178.0	10.0
HV10	Embossed	4,000pcs	2.0	13.0	21.0	60.0	178.0	13.8
HV12	Embossed	4,000pcs	2.0	13.0	21.0	60.0	178.0	13.8

12. Note

12.1. UNI-ROYAL recommend the storage condition temperature: 15°C~35°C, humidity :25%~75%.

(Put condition for individual product).Even under UNI-ROYAL recommended storage condition, solderability of products over 1 year old.

(Put condition for each product) may be degraded.

12.2. Store / transport cartons in the correct direction, which is indicated on a carton as a symbol.

Otherwise bent leads may occur due to excessive stress applied when dropping of a carton.

12.3. Product performance and soldered connections may deteriorate if the products are stored in the following places:

- a. Storage in high Electrostatic.
- b. Storage in direct sunshine、rain and snow or condensation.
- c. Where the products are exposed to sea winds or corrosive gases, including Cl₂, H₂S₃, NH₃, SO₂, NO₂.

13. Record

Version	Description of amendment	Page	Date	Amended by	Checked by
1	First issue of this specification	1~6	Mar.20, 2018	Chen Haiyan	Chen Nana

Uniroyal Electronics Global Co., Ltd. , all rights reserved. Spec. herein would be changed at any time without prior notice.