

DATA SHEET

Product Name Wire-wound Anti-Surge Fixed Resistors

Part Name KNPA Series

Uniroyal Electronics Global Co., Ltd.

88 Longteng Road, Economic & Technical Development Zone, Kunshan, Jiangsu, China

Tel +86 512 5763 1411 / 22 /33

Email marketing@uni-royal.cn

Manufacture Plant Uniroyal Electronics Industry (kunshan) co., ltd.
Uniroyal Electronics Industry Co., Ltd.
Uniroyal Electronics Global Co.,Ltd Shenzhen Branch
Aeon Technology Corporation
Uniroyal Electronics Global Co.,Ltd Xiamen Branch
Kunshan Foss Electronic material Co., Ltd.

Brands *RoyalOhm* *UniOhm*



1. Scope

- 1.1 This specification for approve relates Power Wire-wound Anti-Surge Fixed Resistors manufactured by UNI-ROYAL.
- 1.2 Excellent flame retardant coating
- 1.3 According to IEC 61000-4-5
- 1.4 Applies to electricity meters, home appliance and ballast

2. Part No. System

The standard Part No. includes 14 digits with the following explanation:

- 2.1 Wire-Wound Fixed Resistors type, the 1st to 3rd digits are to indicate the product type and 4th digit is the special feature.

Example: KNPA= Wire-Wound Anti-Surge Fixed Resistors type.

- 2.2 5th~6th digits:

- 2.2.1 This is to indicate the wattage or power rating. To dieting the size and the numbers,

The following codes are used; and please refer to the following chart for detail:

W=Normal Size; S=Small Size; U=Extra Small Size; “1”~“G”to denotes“1”~“16”as

Hexadecimal:

1/16W~1/2W (< 1W)

Wattage	1/2	1/3	1/4	1/5	1/6	1/8	1/10	1/16
Normal Size	W2	W3	W4	W5	W6	W8	WA	WG
Small Size	S2	S3	S4	S5	S6	S8	SA	SG

1W~16W ($\geq 1W$)

Wattage	1	2	3	5	7	8	9	10	15
Normal Size	1W	2W	3W	5W	7W	8W	9W	AW	FW
Small Size	1S	2S	3S	5S	7S	8S	9S	AS	FS

- 2.2.2 For power rating less than 1 watt, the 5th digit will be the letters W, S or U to represent the size required & the 6th digit will be a number or a letter code.

Example: WA=1/10W

- 2.2.3 For power of 1 watt to 16 watt, the 5th digit will be a number or a letter code and the 6th digit will be the letters of W or S.

Example: AS=10W-S; 3S=3W-S

- 2.3 The 7th digit is to denote the Resistance Tolerance. The following letter code is to be used for indicating the standard Resistance Tolerance.

F=±1% G=±2% J=±5% K= ±10%

- 2.4 The 8th to 11th digits is to denote the Resistance Value.

- 2.4.1 For the standard resistance values of 5% series, the 8th digit is “0”,the 9th & 10th digits are to denote the significant figures of the resistance and the 11th digit is the number of zeros following.;

- 2.4.2 The following number s and the letter codes are to be used to indicate the number of zeros in the 11th digit:

0=10⁰ 1=10¹ 2=10² 3=10³ 4=10⁴ 5=10⁵

6=10⁶ J=10⁻¹ K=10⁻² L=10⁻³ M=10⁻⁴

- 2.4.3 The 12th, 13th & 14th digits.

The 12th digit is to denote the Packaging Type with the following codes:

A=Tape/Box (Ammo pack) B=Bulk/Box

T=Tape/Reel P=Tape/Box of PT-26 products

- 2.4.4 The 13th digit is normally to indicate the Packing Quantity of Tape/Box & Tape/Reel packaging types. The following letter code or number code is to be used for some packing quantities:

A=500pcs 1=1000pcs 2=2000pcs 5=5000pcs

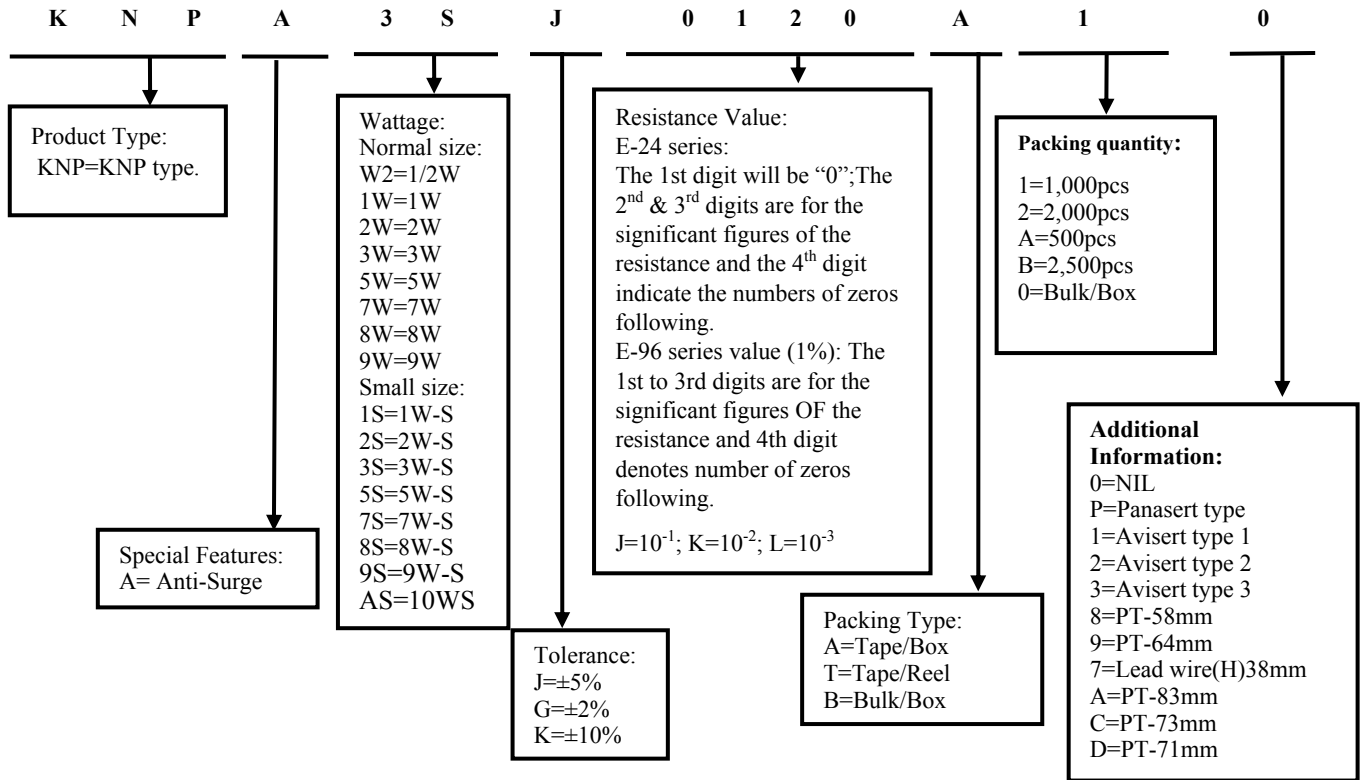
- 2.4.5 For some items, the 14th digit alone can use to denote special features of additional information with the following codes:

0=NIL P=Panaset type 0=NIL 1=Avisert type 1 2=Avisert type 2

3=Avisert type 3 A=Cutting type CO 1/4W-A type B= Cutting type CO 1/4W-B type

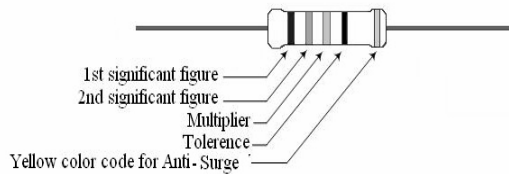
3. Ordering Procedure

(Example: KNPA 3WS ±5% 12Ω T/B-1000)

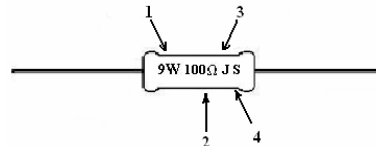


4. Marking

4.1 For KNPA normal size: 1/2W, 1W, 2W, 3W and KNPA small size : 1W-S, 2W-S, 3W-S, 5W-S Resistors shall be marked with color coding colors shall be in accordance with JIS C 0802



4.2 For KNPA normal size: 5W, 7W, 8W, 9W and KNPA small size : 7W-S, 8W-S, 9W-S, 10W-S



Code description and regulation

1. Wattage rating.
2. Nominal resistance value.
3. Resistance Tolerance.
4. S = Product KNPA

4.3 Label:

Label shall be marked with following items:

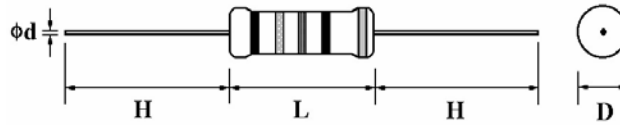
- (1) Type and style
- (2) Nominal resistance
- (3) Resistance tolerance
- (4) Quantity
- (5) Lot number
- (6) PPM

Example:

Wire-wound Anti-Surge Fixed Resistors	
WATT : 8W	VAL: 22Ω
Q'TY: 25	TOL: 5%
LOT: 7021528	PPM:

5. Ratings & Dimension

5.1 Dimension:



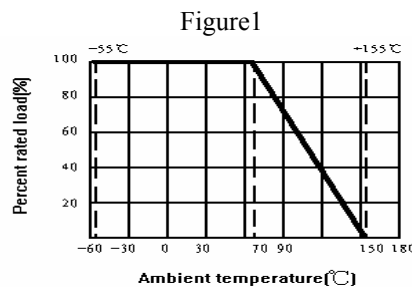
Type	Dimension(mm)					Resistance Range	Tolerance
	D±1	L±1	d±0.05	H±3	PT		
KNPA 1/2W,1WS	3.5	9.5	0.54	28	52	10Ω~820Ω	±5%
KNPA 1W,2WS	4.5	11.5	0.70	25	52	10Ω~1.2KΩ	
KNPA 2W,3WS	5.5	15.5	0.70	28	64	10Ω~3.0KΩ	
KNPA 3W,5WS	6.5	17.5	0.75	28	64	10Ω~3.9KΩ	
KNPA 5W,7WS	8.5	24.5	0.75	38	90	10Ω~5.6KΩ	
KNPA 7W,8WS	8.5	29.5	0.75	38	B/B	10Ω~8.2KΩ	
KNPA 8W,9WS	8.5	39.5	0.75	38	B/B	10Ω~10KΩ	
KNPA 9W,AS	8.5	52.5	0.75	38	B/B	10Ω~15KΩ	

5.2 Rating :

Type	Low Resistance Range	Maximum Surge Voltage	Medium Resistance Range	Maximum Surge Voltage	High Resistance Range	Maximum Surge Voltage
KNPA 1/2W,1WS	10Ω~40Ω	2KV	43Ω~240Ω	3KV	270Ω~820Ω	4KV
KNPA 1W,2WS	10Ω~50Ω	3KV	51Ω~240Ω	4KV	270Ω~1.2KΩ	5KV
KNPA 2W,3WS	10Ω~100Ω	4KV	110Ω~240Ω	5KV	270Ω~3.0KΩ	6KV
KNPA 3W,5WS	10Ω~100Ω	6KV	110Ω~680Ω	7KV	750Ω~3.9KΩ	8KV
KNPA 5W,7WS	10Ω~160Ω	7KV	180Ω~680Ω	8KV	750Ω~5.6KΩ	9KV
KNPA 7W,8WS	10Ω~160Ω	8KV	180Ω~680Ω	9KV	750Ω~8.2KΩ	10KV
KNPA 8W,9WS	10Ω~160Ω	9KV	180Ω~680Ω	10KV	750Ω~10KΩ	10KV
KNPA 9W,AS	10Ω~160Ω	10KV	180Ω~680Ω	10KV	750KΩ~15KΩ	10KV

6. Derating Curve

Resistors shall have a power rating based on continuous load operation at an ambient temperature from -55°C to 70°C. For temperature in excess of 70°C, the load shall be derate as shown in figure 1



6.1 Voltage rating:

Resistors shall have a rated direct-current (DC) continuous working voltage or an approximate sine-wave root-mean-square (RMS) alternating-current (AC) continuous working voltage at commercial-line frequency and waveform corresponding to the power rating, as determined from the following formula:

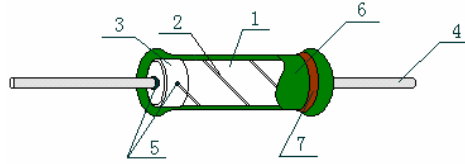
$$RCWV = \sqrt{P \times R}$$

Where: RCWV = rated dc or RMS ac continuous working voltage at commercial-line frequency and waveform (VOLT.)

P = power rating (WATT.)

R = nominal resistance (OHM)

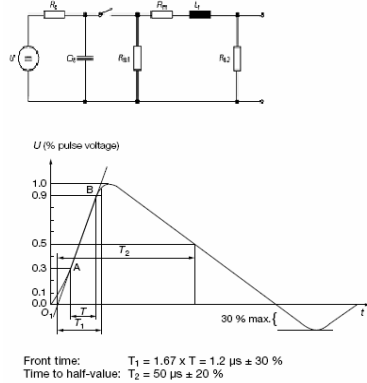
7. Structure



No.	Name	Raw materials
1	Basic body	Rod Type Ceramics
2	Resistor	Ni-Cr & Cu-Ni Alloys
3	End cap	Steel (Tin Plated iron Surface)
4	Lead wire	Tin solder coated copper wire
5	Joint	By welding
6	Coating	Normal size & Insulated Non-Flame Paint Color: Deep Green
7	Marking	Epoxy Resin

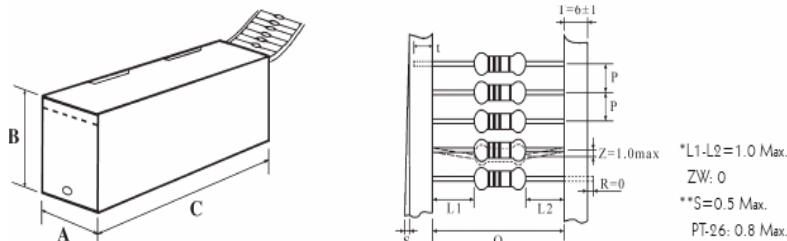
8. Performance Specification

Characteristic	Limits	Test Method (GB/T5729&JIS-C-5201&IEC60115)
Temperature Coefficient	±200PPM/°C	4.8 Natural resistance changes per temp. Degree centigrade $\frac{R_2 - R_1}{R_1(t_2 - t_1)} \times 10^6 \text{ (PPM/°C)} \quad \frac{R_3 - R_1}{R_1(t_3 - t_1)} \times 10^6 \text{ (PPM/°C)}$ R ₁ : Resistance Value at room temperature (t ₁); R ₂ : Resistance Value at upper limit temperature ± 2°C (t ₂) R ₃ : Resistance Value at lower limit temperature ± 3°C (t ₃) Test pattern: Room temperature: (t ₁) Upper limit temperature: (t ₂) Lower limit temperature: (t ₃)
Short-Time Overload	Resistance change rate must be in ±(2%+0.05Ω)Max, and no mechanical damage.	4.13 Permanent resistance change after the application of a potential of 10 times Power for 5 seconds.
Terminal strength	No evidence of mechanical damage	4.16 Direct load: Resistance to a 2.5 kg direct load for 10 seconds in the direction of the longitudinal axis of the terminal leads. Twist test: Terminal leads shall be bent through 90° at a point of about 6mm from the body of the resistor and shall be rotated through 360° about the original axis of the bent terminal in alternating direction for a total of 3 rotations.
Resistance to soldering heat	Resistance change rate must be in ±(1%+0.05Ω), and no mechanical damage.	4.18 Permanent resistance change when leads immersed to a point 2.0-2.5mm from the body in 260°C±5°C solder for 10±1 seconds.
Solderability	95% Coverage Min.	4.17 The area covered with a new, smooth, clean, shiny and continuous surface free from concentrated pinholes. Temperature of solder: 245°C±3°C Dwell time in solder: 2~3seconds.
Rapid change of temperature	Resistance change rate must be in ±(5%+0.05Ω), and no mechanical damage.	4.19 30 min at lower limit temperature and 30 min at upper limit temperature, 5 cycles.

Humidity (steady state)	Resistance change rate must be in $\pm (2\%+0.05\Omega)$, and no mechanical damage.	4.24 Temporary resistance change after 240 hours exposure in a humidity test chamber controlled at $40\pm 2^{\circ}\text{C}$ and 90-95% relative humidity,
Load life in humidity	Resistance change rate must be in $\pm(5\%+0.05\Omega)$, and no mechanical damage.	7.9 resistance change after 1,000 hours (1.5 hours “ON”, 0.5 hour “OFF”) at RCWV in a humidity test chamber controlled at $40^{\circ}\text{C}\pm 2^{\circ}\text{C}$ and 90 to 95% relative humidity.
Surge	Resistance change rate is: $\pm(5\%+0.05\Omega)$ Max	Surge voltage as per the 1.2 $\mu\text{s}/50 \mu\text{s}$ exponential open circuit voltage waveform according to IEC 61000-4-5 standard as shown below:  Front time: $T_1 = 1.67 \times T = 1.2 \mu\text{s} \pm 30 \%$ Time to half-value: $T_2 = 50 \mu\text{s} \pm 20 \%$
Resistance to solvent	No deterioration of protective coatings & markings	4.29 Specimens shall be immersed in a bath of trichloroethylene completely for 3 min. With ultrasonic
Load life	Resistance change rate must be in $\pm(5\%+0.05\Omega)$, and no mechanical damage.	4.25.1 permanent resistance change after 1,000 hours operating at RCWV with duty cycle of 1.5 hours “ON”, 0.5 hour “OFF” at $70^{\circ}\text{C}\pm 2^{\circ}\text{C}$ ambient.
Low Temperature Storage	Resistance change rate must be in $\pm(5\%+0.05\Omega)$, and no mechanical damage.	4.23.4 Lower limit temperature , for 2H.
High Temperature Exposure	Resistance change rate must be in $\pm(5\%+0.05\Omega)$, and no mechanical damage.	4.23.2 Upper limit temperature , for 16H.

9. Packing of Surface Mount Resistors

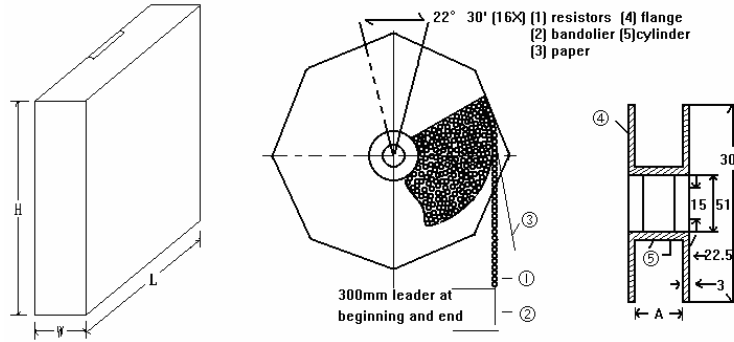
9.1 Tapes in Box Packing:



Dimension of T/B (mm)

Part No.	O	P	A ± 5	B ± 5	C ± 5	Qty/Box
KNPA 1/2W	52 ± 1	5 ± 0.3	75	45	255	1,000pcs
KNPA 1WS	52 ± 1	5 ± 0.3	75	45	255	1,000pcs
KNPA 1W	52 ± 1	5 ± 0.3	86	82	255	1,000pcs
KNPA 2WS	52 ± 1	5 ± 0.3	86	82	255	1,000pcs
KNPA 2W	64 ± 5	10 ± 0.5	90	119	255	1,000pcs
KNPA 3WS	64 ± 5	10 ± 0.5	90	119	255	1,000pcs
KNPA 3W	64 ± 5	10 ± 0.5	90	88	255	500pcs
KNPA 5WS	64 ± 5	10 ± 0.5	90	88	255	500pcs
KNPA 5W	90 ± 5	10 ± 0.5	115	124	500	500pcs
KNPA 7WS	90 ± 5	10 ± 0.5	115	124	500	500pcs

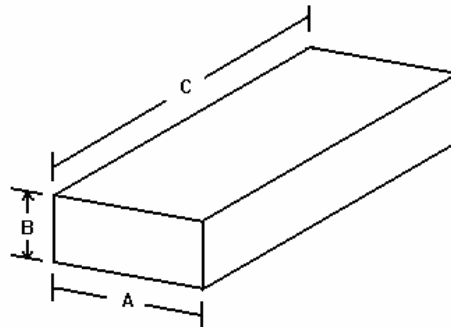
9.2 Tapes in Reel Packing:



Dimension of Reel (mm)

Part No.	O	A	W±5	H±5	L±5	Qty/Box
KNPA 1/2W	52±1	73±2	85	295	293	2,500pcs
KNPA 1WS	52±1	73±2	85	295	293	2,500pcs
KNPA 1W	52±1	73±2	85	295	293	2,500pcs
KNPA 2WS	52±1	73±2	85	295	293	2,500pcs
KNPA 2W	64±5	80±5	95	295	293	1,000pcs
KNPA 3WS	64±5	80±5	95	295	293	1,000pcs
KNPA 3W	64±5	80±5	95	295	293	1,000pcs
KNPA 5WS	64±5	80±5	95	295	293	1,000pcs
KNPA 5W	90±5	115±5	121	310	310	700pcs
KNPA 7WS	90±5	115±5	121	310	310	700pcs

9.3 Bulk in Box Packing:



Dimension of Box (mm)

Part No.	A±5	B±5	C±5	Qty/Box
KNPA 1/2W	140	80	240	250/5,000pcs
KNPA 1WS	140	80	240	250/5,000pcs
KNPA 1W	140	80	240	100/2,500pcs
KNPA 2WS	140	80	240	100/2,500pcs
KNPA 2W	140	80	240	100/1,500pcs
KNPA 3WS	140	80	240	100/1,500pcs
KNPA 3W	140	80	240	100/1,000pcs
KNPA 5WS	140	80	240	100/1,000pcs
KNPA 5W	140	80	240	25/400pcs
KNPA 7WS	140	80	240	25/400pcs
KNPA 7W	140	80	240	25/300pcs
KNPA 8WS	140	80	240	25/300pcs
KNPA 8W	140	80	240	25/200pcs
KNPA 9WS	140	80	240	25/200pcs
KNPA 9W	140	80	240	25/200pcs
KNPA 10WS	140	80	240	25/200pcs

10. Note

10.1 UNI-ROYAL recommend the storage condition temperature: 15°C~35°C, humidity :25%~75%.

(Put condition for individual product)

Even under UNI-ROYAL recommended storage condition, solderability of products over 1 year old.

(Put condition for each product) may be degraded.

10.2 Store / transport cartons in the correct direction, which is indicated on a carton as a symbol.

Otherwise bent leads may occur due to excessive stress applied when dropping of a carton.

10.3 Product performance and soldered connections may deteriorate if the products are stored in the following places:

a. Storage in high Electrostatic

b. Storage in direct sunshine · rain and snow or condensation

c. Where the products are exposed to sea winds or corrosive gases, including Cl₂, H₂S, NH₃, SO₂, NO₂.

11. Record

Version	Description of amendment	Page	Date	Amended by	Checked by
1	First issue of this specification	1~8	Mar.20, 2018	Chen Haiyan	Chen Nana

Uniroyal Electronics Global Co., Ltd. , all rights reserved. Spec. herein would be changed at any time without prior notice