

# DATA SHEET

**Product Name** Power Dissipation Mount Fixed Resistors

---

**Part Name** PDM、PDM-1、PDMS Series

## Uniroyal Electronics Global Co., Ltd.

88 Longteng Road, Economic & Technical Development Zone, Kunshan, Jiangsu, China

Tel +86 512 5763 1411 / 22 /33

Email [marketing@uni-royal.cn](mailto:marketing@uni-royal.cn)

Manufacture Plant Uniroyal Electronics Industry (kunshan) co., ltd.  
Uniroyal Electronics Industry Co., Ltd.  
Uniroyal Electronics Global Co.,Ltd Shenzhen Branch  
Aeon Technology Corporation  
Uniroyal Electronics Global Co.,Ltd Xiamen Branch  
Kunshan Foss Electronic material Co., Ltd.

Brands *RoyalOhm* *UniOhm*



**1. Scope**

- 1.1 This specification for approve relates Power Power Dissipation Mount Fixed Resistors manufactured by UNI-ROYAL.
- 1.2 With Aluminum Shell for a good heat dissipation, suitable for board mount
- 1.3 Thin & lightweight body with big power rating
- 1.4 Application: Power Supply , Adapter, Machine

**2. Part No. System**

The standard Part No. includes 14 digits with the following explanation:

- 2.1 For Power Dissipation Mount Fixed Resistors, these 4 digits are to indicate the product type but if the product type has only 3digits, the 4<sup>th</sup> digit will be “0”

Example: PDM0=PDM type;

- 2.2 5th~6th digits:

1W~16W ( $\geq 1W$ )

Wattage	1	2	3	5	7	8	9	10	15
Normal Size	1W	2W	3W	5W	7W	8W	9W	AW	FW

- 2.2.1 For power rating of 1watt to 16watt, the 5<sup>th</sup> digit will be a number or a letter code and the 6<sup>th</sup> digit will be the letters of W.

Example: 5W=5W

- 2.2.2 For power rating between20 watt to 99 watt, the 5<sup>th</sup> and the 6<sup>th</sup> digit will show the whole numbers of the power rating itself

Example: 25=25W; 50=50W

- 2.3 The 7th digit is to denote the Resistance Tolerance. The following letter code is to be used for indicating the standard Resistance Tolerance.

F=±1% G=±2% J=±5% K= ±10%

- 2.4 The 8th to 11th digits is to denote the Resistance Value.

- 2.4.1 For the standard resistance values of E-24 series, the 8<sup>th</sup> digit is “0”,the 9<sup>th</sup> & 10<sup>th</sup> digit are to denote the significant figures of the resistance and the 11<sup>th</sup> digit is the numbers of zeros following.

Example:

012J=1.2Ω 0120=12Ω 0273=27KΩ

- 2.5 The 12th, 13th & 14th digits.

- 2.5.1 The 12th digit is to denote the Packaging Type with the following codes:

B=Bulk/Box

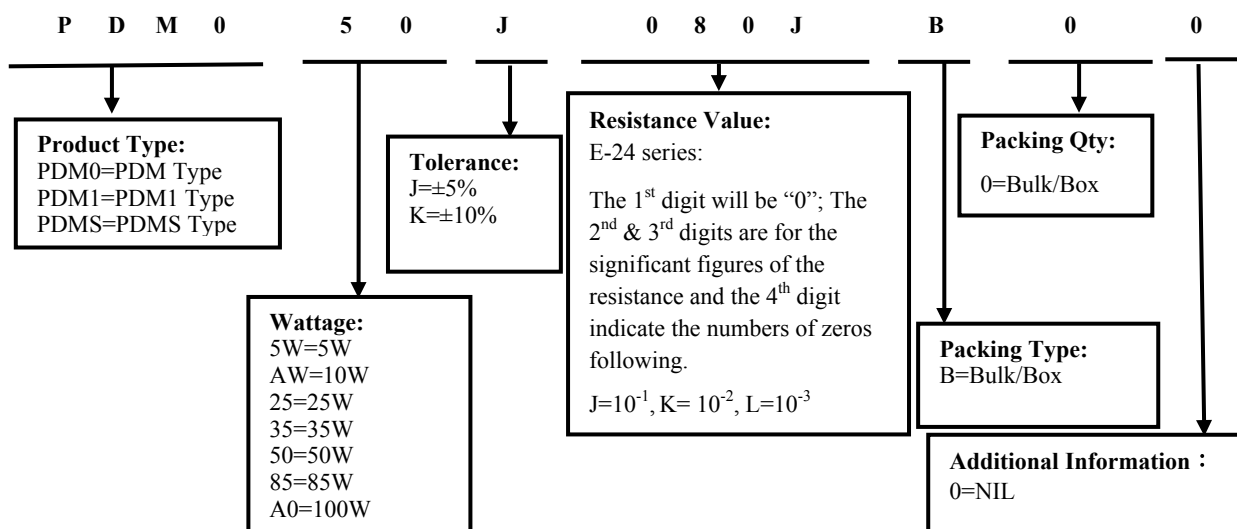
- 2.5.2 The 13th digit is normally to indicate the Packing Quantity, This digit should be filled with “0”for the Cement products with “Bulk/Box”packing requirements.

- 2.5.3 For some items, the 14th digit alone can use to denote special features of additional information with the following codes or standard product

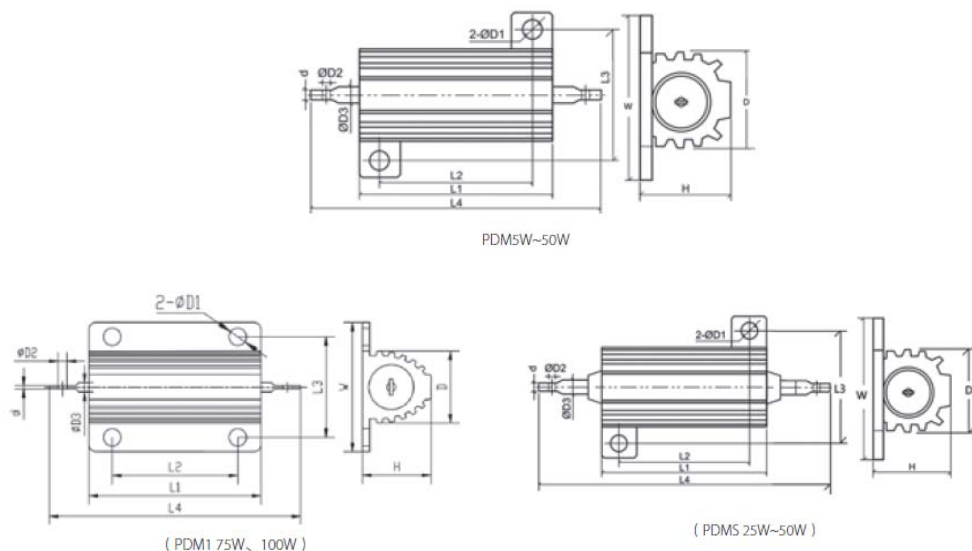
Example: 0= standard product

**3. Ordering Procedure**

(Example: PDM 50W ±5% 8Ω B/B)

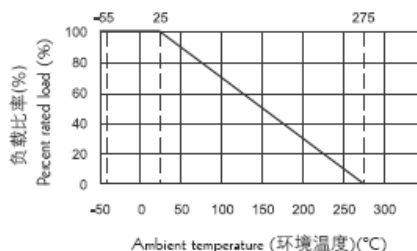


**4. Ratings & Dimension**



Type	Dimension(mm)											Resistance Range	Special high Value
	L1 ±1	L2	L3	L4 ±1.5	W±1	H±1	D±1	d±0.2	D1	D2±0.5	D3		
PDM 5W	15.5	11±0.5	12±0.5	32.5	16±0.5	8.0	8.0	0.3	2.0+0.5/-0.2	1.3	1±0.05	0.5Ω~1 KΩ	1.8KΩ
PDM 10W	20.5	15.2±0.5	17.2±0.5	40.5	22.3±0.5	12.2	11.0	0.8	2.5+0.5/-0.2	2.0	2±0.1	1Ω~1.5KΩ	5KΩ
PDM 25W	28.0	18.2±0.5	20.2±0.5	45.5	30.3±0.5	16.0	13.5	0.8	3.0+0.5/-0.2	2.0	2±0.1	5.1Ω~8.2KΩ	12KΩ
	28.0	18±0.5	19.0±0.5	49.0	27±1	14.0	13.5	0.8	4+0.5/-0.2	/	2±0.1	5.1Ω~8.2KΩ	12KΩ
PDM 35W	34.5	24.2±0.5	20.2±0.5	56.5	30±0.5	16.3	16.3	0.8	3.0+0.5/-0.2	2.0	2±0.1	5.1Ω~8.2KΩ	15KΩ
PDM 50W	50.5	40.2±0.5	20.2±0.5	75.0	30.3±0.5	15.7	15.5	0.8	3.0+0.5/-0.2	2.0	2±0.1	5.1Ω~20KΩ	35KΩ
	50.0	40±1	21.5±0.5	78.5	30±1	16.0	15.5	0.8	3.5±0.5	/	2±0.1	5.1Ω~20KΩ	35KΩ
PDMS25W	28.0	18±0.5	19±1	49.0	27±0.5	14.0	13.5	0.8	4±0.5	2.0	2±0.1	5.1Ω~8.2KΩ	22KΩ
PDMS50W	50.0	40±0.5	21.5±1	75.0	30±0.5	16.0	15.5	0.8	3.5±0.5	2.0	2±0.1	5.1Ω~20KΩ	35KΩ
PDM-1 75W	66.0	36±0.5	37±1	88.0	47.5±1	26.0	27.0	1.1	4.5±0.5	2.0	2.3±0.2	1Ω~20KΩ	-
PDM-1 85W	75.5	40±0.5	20.5±1	100	29±1	15.5	15.5	0.8	3.5±0.5	2.0	2±0.1	1Ω~20KΩ	-
PDM-1 100W	98.0	72±1	37±1	120	48±1	26.0	27.0	0.8	4.5±0.5	2.0	2±0.1	1Ω~20KΩ	-

**5. Derating Curve**



**5.1 Voltage rating:**

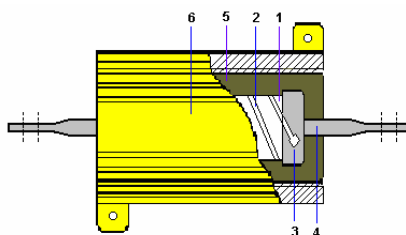
Resistors shall have a rated direct-current (DC) continuous working voltage or an approximate sine-wave root-mean-square (RMS) alternating-current (AC) continuous working voltage at commercial-line frequency and waveform corresponding to the power rating, as determined from the following formula:

$$RCWV = \sqrt{P \times R}$$

Where: RCWV = rated dc or RMS ac continuous working voltage at commercial-line frequency and waveform (VOLT.)

P = power rating (WATT.) R= nominal resistance (OHM)

6. Structure



No.	Material Generic Name
1	Ceramic rod
2	Resistance wire
3	Cap
4	Terminal lead
5	Silicones molding compound
6	Aluminum shell

7. Performance Specification

Characteristic	Limits	Test Method (GB/T5729&JIS-C-5201&IEC60115)
Temperature Coefficient	<20Ω: ±400PPM/°C Max. ≧20Ω: ±350PPM/°C Max..	4.8 Natural resistance changes per temp. Degree centigrade $\frac{R_2-R_1}{R_1(t_2-t_1)} \times 10^6 \text{ (PPM/°C)}$ $\frac{R_3-R_1}{R_1(t_3-t_1)} \times 10^6 \text{ (PPM/°C)}$ R <sub>1</sub> : Resistance Value at room temperature ( t <sub>1</sub> ) ; R <sub>2</sub> : Resistance Value at upper limit temperature ± 2°C ( t <sub>2</sub> ) R <sub>3</sub> : Resistance Value at lower limit temperature ± 3°C ( t <sub>3</sub> ) Test pattern : Room temperature : ( t <sub>1</sub> ) Upper limit temperature : ( t <sub>2</sub> ) Lower limit temperature : ( t <sub>3</sub> )
Short-time overload	Resistance change rate must be in±(5%+0.05Ω) ,and no mechanical damage.	4.13 Permanent resistance change after the application of a potential of 2.5 times RCWV for 5 seconds.
Dielectric withstanding voltage	No evidence of flashover mechanical damage, arcing or insulation break down.	4.7 Resistors shall be clamped in the trough of a 90°metallic V-block and shall be tested at AC potential respectively for 60-70 seconds.
Resistance to soldering heat	Resistance change rate must be in ± (1%+0.05Ω) , and no mechanical damage.	4.18 Permanent resistance change when leads immersed to a point 2.0-2.5mm from the body in 260°C±5°C solder for 10±1 seconds.
Terminal strength	No evidence of mechanical damage	4.16 Direct load: Resistance to a 2.5Kg direct load for 10 seconds in the direction of the longitudinal axis of the terminal leads. Twist test: Terminal leads shall be bent through 90°at a point of about 6mm from the body of the resistor and shall be rotated through 360° about the original axis of the bent terminal in alternating direction for a total of 3 rotations.
Solderability	95% coverage Min.	4.17 The area covered with a new, smooth, clean, shiny and continuous surface free from concentrated pinholes. Test temp. Of solder:245°C±3°C Dwell time in solder: 2~3seconds.

Rapid change of temperature	Resistance change rate must be in $\pm(5\%+0.05\Omega)$ , and no mechanical damage.	4.19 30 min at lower limit temperature and 30 min at upper limit temperature · 5 cycles.
Humidity (Steady state)	Resistance change rate must be in $\pm(5\%+0.05\Omega)$ , and no mechanical damage.	4.24 Temporary resistance change after 240 hours exposure in a humidity test chamber controlled at 40 $\pm$ 2 $^{\circ}$ C and 90~95%RH relative humidity
Load life	Resistance change rate must be in $\pm(5\%+0.05\Omega)$ , and no mechanical damage.	4.25.1 permanent resistance change after 1,000 hours operating at RCWV with duty cycle of 1.5 hours “ON”, 0.5 hour “OFF” at 25 $^{\circ}$ C $\pm$ 2 $^{\circ}$ C ambient.
Low Temperature Storage	Resistance change rate must be in $\pm(5\%+0.05\Omega)$ , and no mechanical damage.	4.23.4 Lower limit temperature · for 2H.
High Temperature Exposure	Resistance change rate must be in $\pm(5\%+0.05\Omega)$ , and no mechanical damage.	4.23.2 Upper limit temperature · for 16H.

**8. Note**

- 8.1 UNI-ROYAL recommend the storage condition temperature: 15 $^{\circ}$ C~35 $^{\circ}$ C, humidity :25%~75%.  
(Put condition for individual product).  
Even under UNI-ROYAL recommended storage condition, solderability of products over 1 year old.  
(Put condition for each product) may be degraded.
- 8.2 Store / transport cartons in the correct direction, which is indicated on a carton as a symbol.  
Otherwise bent leads may occur due to excessive stress applied when dropping of a carton.
- 8.3 Product performance and soldered connections may deteriorate if the products are stored in the following places:
  - a. Storage in high Electrostatic.
  - b. Storage in direct sunshine · rain and snow or condensation.
  - c. Where the products are exposed to sea winds or corrosive gases, including Cl<sub>2</sub>, H<sub>2</sub>S<sub>3</sub> NH<sub>3</sub>, SO<sub>2</sub>, NO<sub>2</sub>.

**9. Record**

Version	Description of amendment	Page	Date	Amended by	Checked by
1	First issue of this specification	1~5	Mar.20, 2018	Chen Haiyan	Chen Nana

Uniroyal Electronics Global Co., Ltd. , all rights reserved. Spec. herein would be changed at any time without prior notice.